



## Specifications

CAMERA					
<b>Sensor</b>		1/3", progressive scan, 4.0 megapixel, CMOS			
<b>Lens</b>		2.8mm@F2.0			
<b>DORI Distance</b>	<b>Lens</b>	<b>Detect (m)</b>	<b>Observe (m)</b>	<b>Recognize (m)</b>	<b>Identify (m)</b>
	2.8mm	42	16.8	8.4	4.2
<b>Angle of view(H)</b>		104.4°			
<b>Angle of View (V)</b>		54.4°			
<b>Angle of View (O)</b>		135.7°			
<b>Adjustment angle</b>		Pan: 0°~360°, Tilt: 0°~75°			
<b>Shutter</b>		Auto/Manual, 1/6~1/100000 s			
<b>Minimum Illumination</b>		Color: 0.03 Lux (F2.0, AGC ON) 0 Lux with IR			
<b>Day/Night</b>		IR-cut filter with auto switch (ICR)			
<b>Digital noise reduction</b>		2D/3D DNR			
<b>S/N</b>		>52dB			
<b>IR Range</b>		Up to 30m (98 ft) IR range			
<b>Defog</b>		Digital Defog			
<b>WDR</b>		DWDR			
VIDEO					
<b>Video Compression</b>		Ultra 265,H.265,H.264,MJPEG			
<b>H.264 code profile</b>		Baseline profile, Main Profile, High Profile			
<b>Frame Rate</b>		Main Stream: 4MP (2592 x 1520): Max. 20 fps; Sub Stream: 720P (1280 x 720): Max. 30 fps; Third Stream: D1 (720 x 576): Max. 30 fps			
<b>HLC</b>		Supported			
<b>BLC</b>		Supported			
<b>OSD</b>		Up to 4 OSDs			
<b>Privacy Mask</b>		Up to 8 areas			
<b>ROI</b>		Up to 2 areas			
<b>Motion Detection</b>		Up to 4 areas			
NETWORK					
<b>Protocols</b>		IPv4, IGMP, ICMP, ARP, TCP, UDP, DHCP, RTP, RTSP, RTCP, DNS, DDNS, NTP, FTP, UPnP, HTTP, HTTPS, SMTP, SSL			
<b>Compatible Integration</b>		ONVIF(Profile S), API			

## Features

### Optics:

- Day/night functionality
- Smart IR, up to 30 m (98 ft) IR distance
- 2D/3D DNR (Digital Noise Reduction)

### Compression:

- Ultra 265, H.265, H.264, MJPEG
- Triple Streams
- ROI (Region of Interest)

### Network:

- ONVIF Conformance

### Structure:

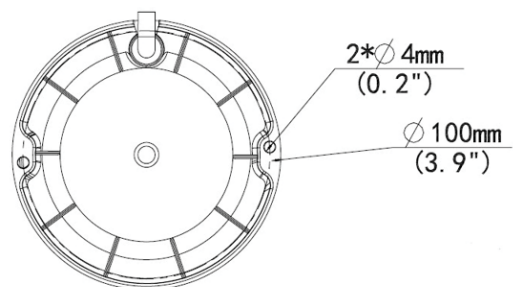
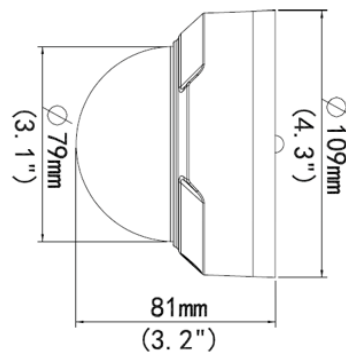
- IK10 vandal resistant
- Wide temperature range: -30°C to 60°C (-22°F to 140°F)
- Wide voltage range of  $\pm 25\%$
- IP67
- 3-Axis

# 2MVIP-4MIR30-E

4MP Vandal-resistant Network IR Fixed Dome Camera

INTERFACE	
<b>Network</b>	10/100M Base-TX Ethernet
GENERAL	
<b>Power</b>	DC12V±25%, PoE (IEEE802.3 af)
<b>Power Consumption</b>	Power consumption: Max.4w
<b>Dimensions (Φ×H)</b>	Φ 109 x 81mm (Φ 5.8" x 4.4")
<b>Weight</b>	0.35kg (0.77lb)
<b>Working Environment</b>	-30°C ~ +60°C (-22°F ~ 140°F), Humidity: 10%~90% RH (non-condensing)
<b>Ingress Protection</b>	IP67
<b>Vandal Resistant</b>	IK10

## Dimensions



\*Product specifications and availability are subject to change without notice.