

# 2MFIP-4MIR10UA-P 4MP Fisheye Fixed Lens IP Camera



## Key Features

### Optics

- Ultra wide angle lens, 180° panoramic image
- Smart IR, Up to 10 m (33ft) IR distance
- 2D/3D DNR (Digital Noise Reduction)

### Compression

- Ultra265, H.264, MJPEG
- Built-in omni directional microphone
- Triple stream (3 panoramic view)

### Network

- ONVIF Conformance

### Structure

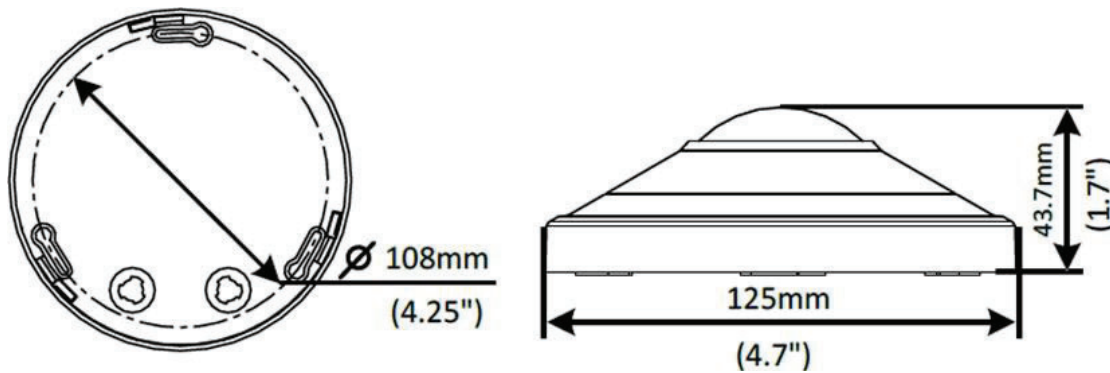
- Support PoE power supply
- Wide temperature range: -40°C to 60°C (-40°F to 140°F)
- Wide voltage range of ±25%
- IK10
- IP66

## Specifications

	2MFIP-4MIR10UA-P				
<b>Camera</b>					
Image sensor	1/3", progressive scan, 4.0 megapixel, CMOS				
Lens	1.6mm@ F1.6				
DORI Distance	Lens	Detect(m)	Observe(m)	Recognize(m)	Identify(m)
	1.6mm	36	14.4	7.2	3.7
Angle of View	180°				
Shutter	Auto/Manual, shutter time: 1 ~1/100000 s				
Minimum Illumination	Colour: 0.01 Lux (F1.6, AGC ON)				
	0 Lux with IR				
Day / Night	IR-cut filter for day & night function				
Digital noise reduction	2D/3D DNR				
S/N	>55dB				
IR Range	UP to 10m (33ft)				
Defog	Digital Defog				
WDR	120dB				
<b>Video</b>					
Compression	Ultra265, H.264,MJPEG				
H.264 code profile	Baseline profile, Main Profile, High Profile				
Frame Rate	Main Stream : (2560×1440) : Max.25fps;				
	Sub Stream: (1920×1080) : Max.25fps;				
	Third Stream: D1(720 x 576): Max.25 fps				
BLC	Supported				
OSD	Up to 8 OSDs				
ROI	Up to 8 areas				
Privacy Mask	Up to 8 areas				
Motion Detection	Up to 4 areas				
General Function	Watermark, IP Address Filtering, Tampering Alarm, Alarm input, Alarm output, Access Policy, ARP Protection, RTSP Authentication, User Authentication				
<b>Audio</b>					
Audio Compression	G.711				
Two-way audio	Supported				
Suppression	Supported				
Sampling Rate	8 KHZ				
<b>Storage</b>					
Edge Storage	Micro SD, up to 128GB				
Network Storage	ANR				
<b>Network</b>					
Protocols	IPv4, IGMP, ICMP, ARP, TCP, UDP, DHCP, PPPoE, RTP, RTSP, RTCP, DNS, DDNS, NTP, FTP, UPnP, HTTP, HTTPS, SMTP, 802.1x, SNMP				
Compatible Integration	ONVIF(Profile S, Profile G), API				
<b>Live View Display</b>					
Mount Type	Support table, wall, and ceiling				

Display Mode	Support 9 display modes in total (including display modes of mount types and decoding modes): Original Image, Fisheye+4PTZ, Panoramic, 360°Panoramic+1PTZ, 180°Panoramic, Fisheye+3PTZ, Fisheye+4PTZ, 360°Panoramic+6PTZ, Fisheye+8PTZ
<b>Interface</b>	
Audio I/O	Audio interface
	Input: impedance 35 kΩ; amplitude 2 V *p-p]
	Output: impedance 600 Ω; amplitude 2 V *p-p]
	3 built-in omnidirectional microphone
Alarm I/O	1 / 1
Built-in Mic	Supported
Video Output	1 BNC, impedance 75 Ω; amplitude 1 V [p-p]
Network	1 RJ45 10M/100M Base-TX Auto-adaptive Ethernet
<b>General</b>	
Power	DC12V±25%,PoE(IEEE 802.3af)
	Power consumption: Max. 11 W
Dimensions (∅ x H)	Φ125x 43.7 mm (Φ4.9" x 1.7")
Weight	0.39kg(0.86lb)
Working Environment	-40°C ~60°C (-40°F ~ 140°F), Humidity :10%~95% RH
Ingress Protection	IP66
Vandal Resistant	IK10
Reset Button	Supported

## Dimensions



\*Product specifications and availability are subject to change without notice.