

2MVIP-4MIR30UA-P 4MP WDR Vandal-resistant Network IR Fixed Dome Camera



Key Features

Optics

- Day/night functionality
- Smart IR, up to 30 m (98 ft) IR distance
- Up to 120 dB WDR (Wide Dynamic Range)
- 3D DNR (Digital Noise Reduction)

Compression

- H.265, H.264, MJPEG
- Embedded smart algorithm
- ROI (Region of Interest)
- Customized OSD

Network

- ONVIF Conformance

Structure

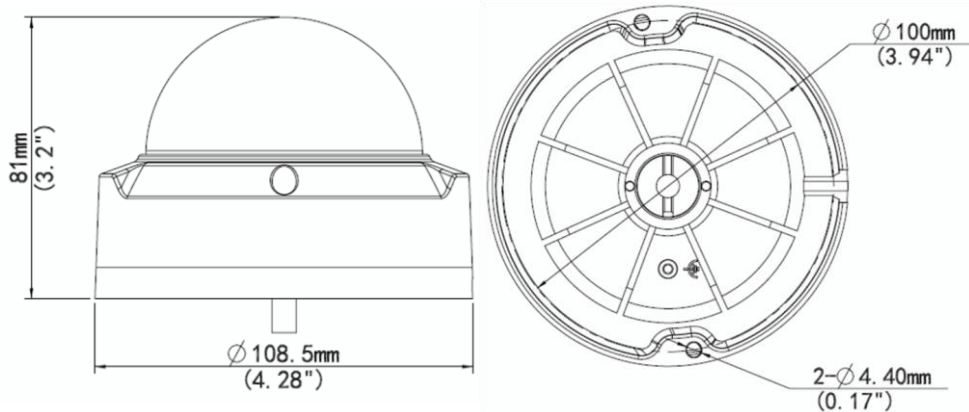
- Wide temperature range: -35°C to 60°C (-31°F to 140°F)
- Wide input voltage range of $\pm 25\%$
- IK10 vandal resistant
- IP66

Specifications

	2.8mm Lens	3.6mm Lens (Optional)	6.0mm Lens
Camera			
Sensor	1/3", 4 megapixel, progressive scan C MOS		
Shutter	Auto/Manual, 1/6~1/8000 s		
Lens	2.8 mm@F2.0 Angle of view(H): 93.0°	3.6 mm@F2.0 Angle of view(H): 72.0°	6.0 mm@F2.0 Angle of view(H): 42.0°
Day/Night	IR-cut filter with auto switch (ICR)		
Min. Illumination	Colour: 0.02 Lux (F2.0, AGC ON) 0 Lux with IR		
S/N	>55 dB		
WDR	120 dB		
Video			
Max. Resolution	2592 × 1520		
Video Compression	H.265, H.264, MJPEG		
Frame Rate	4MP (2592×1520): Max. 20 fps; 4MP (2560×1440): Max. 25 fps 3MP (2048×1520): Max. 30 fps; 1080P (1920×1080): Max. 30 fps		
9:16 Corridor Mode	Supported		
ROI	Supported		
Video Streaming	Triple		
OSD	Up to 8 OSDs		
Privacy Mask	Up to 4 areas		
Smart			
Behavior Detection	Intrusion, crossing line, motion detection		
Exception Detection	Audio detection		
Intelligent Identification	Face detection		
Statistical Analysis	People counting		
Audio			
Audio Compression	G.711		
Two-way audio	Supported		
Storage			
Edge Storage	Micro SD, up to 128 GB		
Network			
Protocols	L2TP, IPv4, IGMP, ICMP, ARP, TCP, UDP, DHCP, PPPoE, RTP, RTSP, RTCP, DNS, DDNS, NTP, FTP, UPnP, HTTP, HTTPS, SMTP, SIP, 802.1x		

Compatible Integration	ONVIF, API
Interface	
Audio I/O	Input: impedance 35 k Ω ; amplitude 2 V [p-p]
	Output: impedance 600 Ω ; amplitude 2 V [p-p]
Alarm I/O	1/ 1
Network	10M/100M Base-TX Ethernet
General	
Power	12 V DC, or PoE (IEEE802.3 af)
	Power consumption: Max 5.5W
Dimensions (\varnothing x H)	\varnothing 108.5 x 81 mm (\varnothing 4.28" x 3.2")
Weight	0.45 kg (0.99 lb)
Working Environment	-35°C ~ +60°C (-31°F ~ 140°F), Humidity \leq 95% RH(non-condensing)
Vandal Resistant	IK10
Ingress Protection	IP66

Dimensions



*Product specifications and availability are subject to change without notice.