

# 2MVIP-2MIR30V-P 2MP IP Fixed IR Dome Camera



## Key Features

### Optics

- Day/night functionality
- Smart IR, up to 30m (98ft) IR distance
- Lowlight surveillance
- 2D/3D DNR (Digital Noise Reduction)

### Compression

- Ultra 265, H.264, MJPEG
- Embedded smart algorithm
- Triple streams
- ROI (Region of Interest)
- 9:16 corridor mode

### Network

- ONVIF Conformance

### Structure

- Support PoE power supply
- Built-in PoE splitter that outputs DC 12V

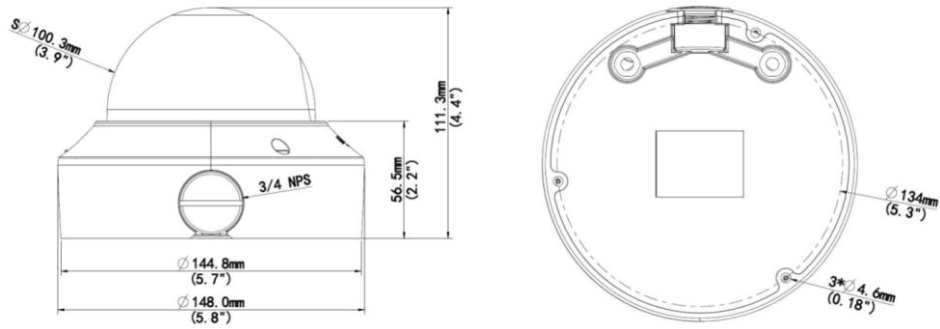
- Wide temperature range: -40°C ~ 60°C (-40°F ~ 140°F)
- Wide voltage range of ±25%
- IK10 vandal resistant
- IP67
- 3-Axis

## Specifications

	2MVIP-2MIR30VUA-P	2MVIP-2MIR30V-P			
<b>Camera</b>					
Sensor	1/2.8", 2.0 megapixel, progressive scan, CMOS				
Lens	2.8 ~ 12mm@ F1.6				
DORI Distance	Lens (mm)	Detect (m)	Observe (m)	Recognize (m)	Identify (m)
	2.8	45	18	9	4.5
	12	192.9	77.1	38.6	19.3
Angle of View (H)	94.0° ~ 28°				
Angle of View (V)	56.7° ~ 14.4°				
Angle of View (O)	122.2° ~ 34.4°				
Adjustment angle	Pan: 0° ~ 360°		Tilt: 0° ~ 80°		Rotate: 0° ~ 360°
Shutter	Auto/Manual, 1 ~ 1/100000s				
Minimum Illumination	Colour: 0.001Lux (F1.6, AGC ON) 0Lux with IR				
Day/Night	IR-cut filter with auto switch (ICR)				
Digital noise reduction	2D/3D DNR				
S/N	>52dB				
IR Range	Up to 30m (98ft) IR range				
Defog	Digital Defog				
WDR	120dB				
<b>Video</b>					
Video Compression	Ultra 265, H.264, MJPEG				
H.264 code profile	Baseline profile, Main Profile, High Profile				
Frame Rate	Main Stream: 2MP (1920*1080), Max 30fps; Sub Stream: 2MP (1920*1080), Max 30fps; Third Stream: D1 (720*576), Max 30fps				
HLC	Supported				
BLC	Supported				
9:16 Corridor Mode	Supported				
OSD	Up to 8 OSDs				
Privacy Mask	Up to 8 areas				
ROI	Up to 8 areas				
Motion Detection	Up to 4 areas				

Audio		
Audio Compression	G.711	N/A
Two-way audio	Supported	N/A
Suppression	Supported	N/A
Sampling Rate	8KHZ	N/A
Smart		
Behavior Detection	Intrusion, cross line, motion detection	Intrusion, cross line, motion detection
Intrusion	Enter and loiter in a pre-defined virtual region	
cross line	Cross a pre-defined virtual line	
motion detection	Moving within a pre-defined virtual region	
Recognition	Face detection, Audio detection	Face detection
Intelligent Identification	Defocus, Scene Change, Object Left, Object Moving	
Statistical Analysis	People counting	
General Function	Watermark, IP Address Filtering, Tampering Alarm, Alarm input, Alarm output, Access Policy, ARP Protection, RTSP Authentication, User Authentication	Watermark, IP Address Filtering, Tampering Alarm, Access Policy, ARP Protection, RTSP Authentication, User Authentication
Storage		
Edge Storage	Micro SD, up to 256GB	
Network		
Protocols	IPv4, IGMP, ICMP, ARP, TCP, UDP, DHCP, PPPoE, RTP, RTSP, RTCP, DNS, DDNS, NTP, FTP, UPnP, HTTP, HTTPS, SMTP, 802.1x, SNMP, QoS	
Compatible Integration	ONVIF (Profile S, Profile G, Profile T), API	
Interface		
Audio I/O	Audio cable	N/A
	Input: impedance 35kΩ; amplitude 2V [p-p]	N/A
	Output: impedance 600Ω; amplitude 2V [p-p]	N/A
Alarm I/O	1/1	N/A
Network	1 RJ45 10M/100M Base-TX Ethernet	
Video Output	1 BNC, impedance 75Ω; amplitude 1V [p-p]	N/A
General		
Power	DC 12V±25%, PoE (IEEE 802.3af)	
	Power consumption: Max 7.2W	
Dimensions (Ø x H)	Φ148 x 111.3mm (Ø5.8" x 4.4")	
Weight	0.92kg (2.0lb)	
Working Environment	-40°C ~ 60°C (-40°F ~ 140°F), Humidity: ≤95% RH (non-condensing)	
Ingress Protection	IP67	
Vandal Resistant	IK10	
Reset Button	Supported	

## Dimensions



\*Product specifications and availability are subject to change without notice.