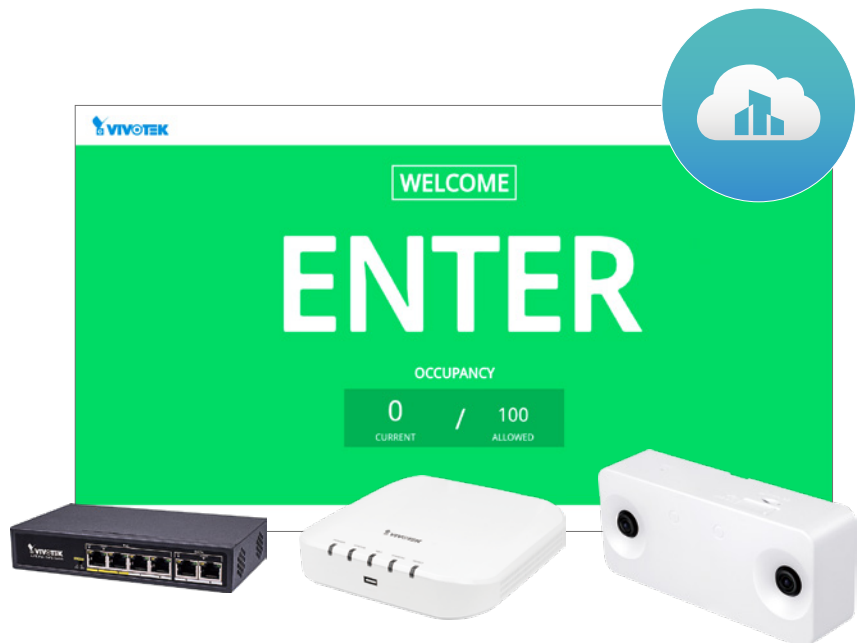


Crowd Control Solution

Effortlessly Maintain Crowd Occupancy

COVID-19 Prevention • People Counting • High Accuracy • Video Analytics

- Combine Multiple Entrances Counting Results
- Real-time Counting Data
- Customizable User Interface
- Remote Monitoring and Notifications via VIVOCloud
- Integrate Access Control Devices with Digital Output
- Stitch Together up to Seven Cameras' for Wider Coverage
- High Accuracy Rate with VIVOTEK's 3D Depth Technology
- Easy to Install and Configure
- Video Surveillance



Solution Introduction

During this critical time in our world, VIVOTEK aims to provide a solution for your business to maintain total occupancy for a safer and healthier environment for your customers. With VIVOTEK Crowd Control Solution, it can easily monitor the number of people entering and exiting a store, thereby providing customers and staff with a safer environment. This intelligent people counting camera and analytics system can be deployed at entrances of areas with higher likelihood of social interaction such as shops, supermarkets, pharmacies, banks, and restaurants.

Benefits



Reduction of Staff Costs

Business owners will not need to deploy a staff member outside to count people coming in and out, helping to reduce costs and reduce staff members potential exposure to health risks.



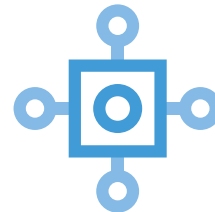
Gov. Guidance Compliant

Comply with government ordinances to defend against COVID-19, enabling your business to resume operations sooner.



Safer Environment

Provide a safer environment through reduced social interaction, customers will also be safe to manage their daily activities.

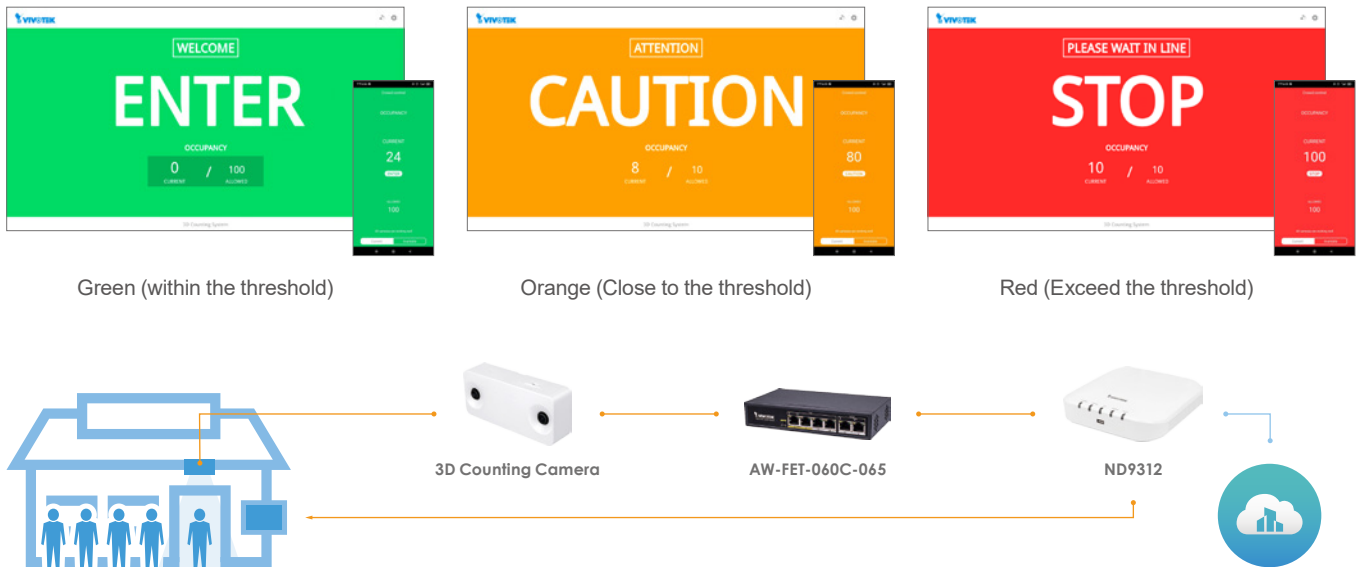


Extended Applications

Business owners can transfer the VIVOTEK Crowd Control Solution into the VIVOCloud Retail Solution*. It not only provides Live Streaming Surveillance and Guest Count Reports while on the go, but it also helps optimize retail operations.

*: Only supported in future project requests, additional charges may apply.

Solution Application



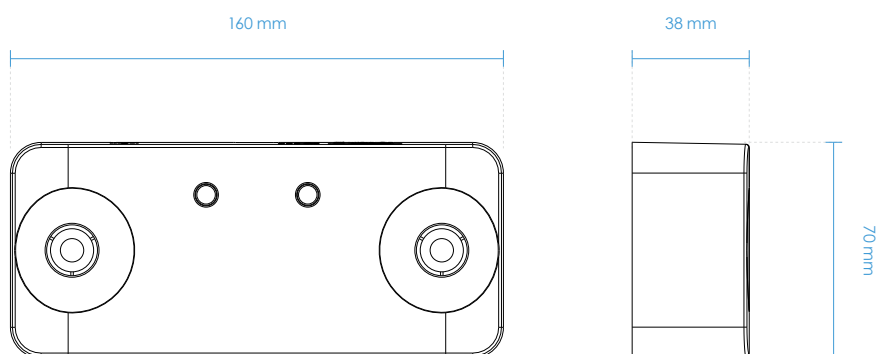
Technical Specifications - 3D Counting Camera

Model	3D Counting Camera
System Information	
CPU	Multimedia SoC (System-on-Chip)
Flash	256 MB
RAM	512 MB
Camera Features	
Image Sensor	1/3" Progressive CMOS
Maximum Frame Rate	15 fps @ 2560x960
On-board Storage	MicroSD/SDHC/SDXC card slot
Video	
Compression	H.264 & MJPEG
Maximum Streams	3 simultaneous streams
Report Format	JSON/XML/CSV
General	
Connectors	RJ-45 for Network/PoE connection DI/DO USB 2.0 (Only as a power bank, not for data transmission) MicroSD Slot
LED Indicator	System power and status indicator
Power Input	IEEE 802.3af PoE Class 3

Technical Specifications - 3D Counting Camera

Power Consumption	PoE: Max.12.95W USB: Max. 300mA
Dimensions	160 (D) x 70 (W) x 38 (H) mm
Weight	396 g
Safety Certifications	CE, LVD, FCC Class B, VCCI, C-Tick, UL
Operating Temperature	Starting Temperature: 0°C ~ 40°C (32°F ~ 104°F) Working Temperature: -10°C ~ 40°C (14°F ~ 104°F)
Warranty	36 months
Installation	
Installation Height	240 ~ 360 cm (7.9 ~ 11.8')

Dimensions



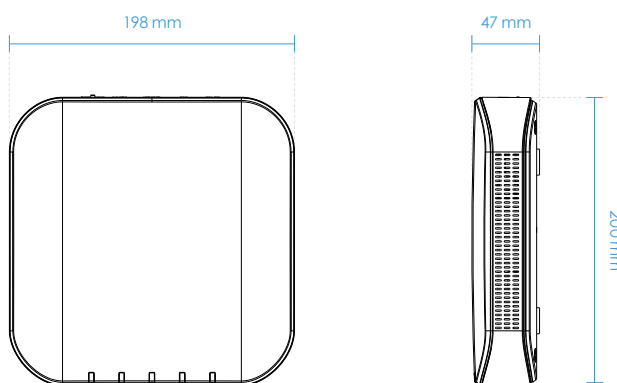
Technical Specifications - Network Video Recorder

Model	ND9312: H.265, 8-CH, 1xHDD, HDMI, VIVOCloud
Operating System	Embedded Linux
Video Compression	H.265/H.264/MJPEG
Channels	Up to 8 channels
LiveView (Local) Decoding	Up to 3840x2160
Max. Decoding Capability	H.265/H.264: 3840x2160 @ 30 fps
Recording Throughput	48 Mbps
Hard Disk	3.5" SATA HDD*1

Technical Specifications - Network Video Recorder

Local Display	HDMI video output
Video Output Display Resolution	3840x2160 1920x1080 1280x720
Fisheye Dewarp	Supported
Trend Micro IoT Security	Supported
Connectors	Ethernet 10/100 RJ45 *1 USB 2.0 *2
Power Input	DC 12V 3A
Power Consumption	Max. 15 W
Approvals	CE, LVD, FCC, VCCI, C-Tick
Installation, Management, and Maintenance	VAST 2, Shepherd, VIVOCloud, iViewer (iOS/Android)
Weight	550 g
Dimensions	198 (W) x 200 (D) x 47(H) mm

Dimensions



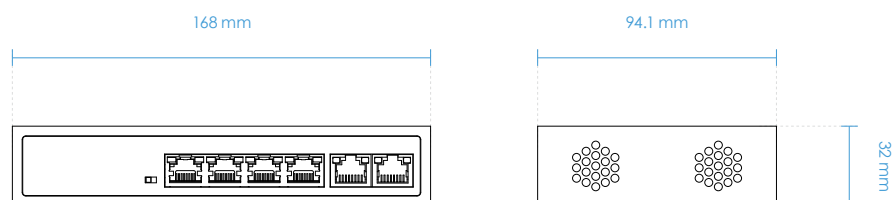
Technical Specifications - Unmanaged FE PoE Switch

Model	AW-FET-060C-065: 4xFE PoE + 2FE UTP
Networking Specifications	
10/100 Mbps RJ45 PoE Port	4
10/100 Mbps RJ45 Port	2

Technical Specifications - Unmanaged FE PoE Switch

EX Mode PoE (200M@10Mbps)	2
Power Specifications	
Power Input Voltage	100VAC ~ 240VAC
Max. PoE Output Power	Per Port 54VDC, Max. 30W
Total PoE Power Budget	60W
IEEE 802.3af/at	Supported
Power Pin Assignment	1/2(+), 3/6(-)
PoE PD Auto Detection	Supported
Surge Protection/Each PoE port	4 KV
Surge Protection for AC Power	4 KV
General	
Operating Temperature	0°C ~ 50°C (32°F ~ 122°F)
Storage Temperature	-20°C ~ 70°C (-4°F ~ 158°F)
Operating Humidity	10% to 90% non-condensing
Dimensions	169 (L) x 94.1 (W) x 32 (H) mm
Weight	0.5 kg
Certifications	
EMC	CE, FCC, VCCI, C-Tick Class A
Safety	EN60950-1, IEC60950-1

Dimensions



Technical Specifications - VIVOCLOUD App

Model	VIVOCLOUD App
Platform System	
iOS	11.0 or later
Android	5.0 or later
Functionalities	
Live Streaming	H.265, H264, MJPEG*, MPEG-4
Timeline Playback	H.265, H264, MJPEG, MPEG-4
Snapshot	Supported
Share Device	Supported
Push Notification	Supported